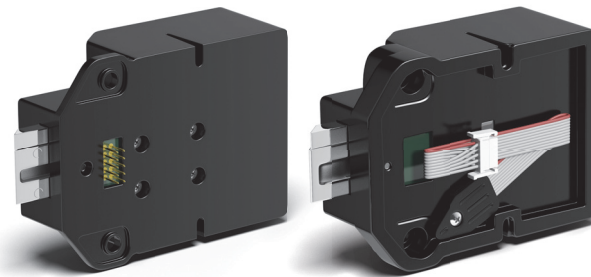
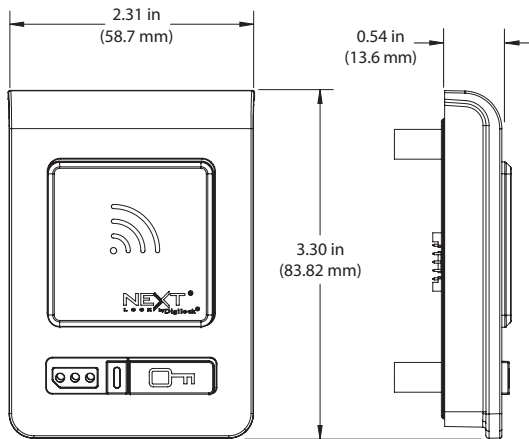


RFID

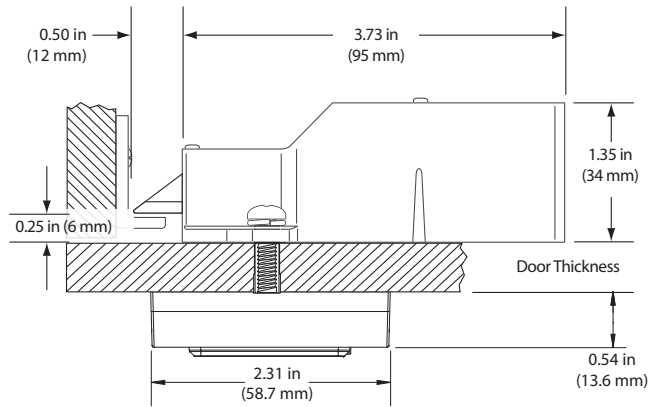
- RFID operation
- Standard body style
- 1/2" (12 mm) motorized deadlatch locking mechanism
- Electronic key management
- Assigned use functionality
- Metal housing with integrated pull handle
- Brushed nickel finish
- Surface mount
- Designed for new or retrofit installations
- Non-handed
- Adapts to multiple door thickness
- Visual & audible indicators
- Compatible RFID standards:
 - ISO 14443A
 - ISO 14443B
 - ISO 15693



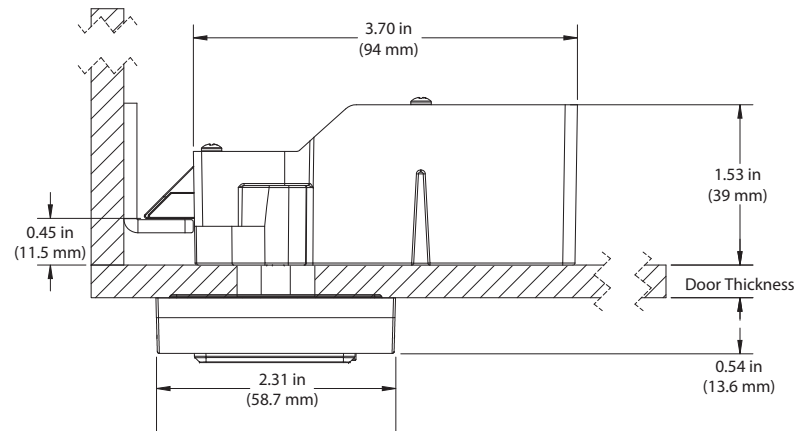
- IP55 rated for moisture and dust protection
- Patented snap-lock cable or pin connector
- Powered by 4 premium AA batteries
- 3-5 year battery life
- Up to 5 year warranty

Features

Top View

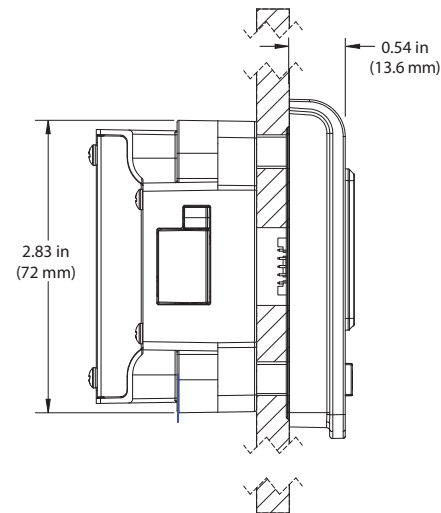
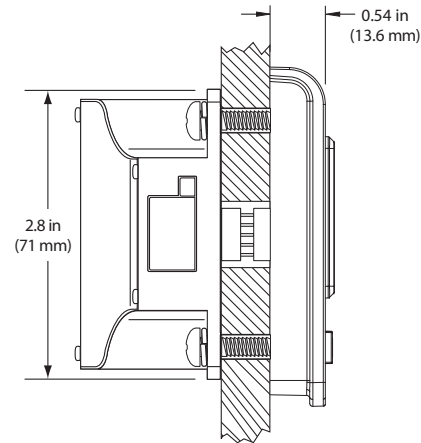


Shown with a pin-connected rear unit.



Shown with a cable-connected rear unit.

Side View



Front View

