

GAT Relaxx

Management Software for GAT Lock Locking Systems

FACTS AT A GLANCE

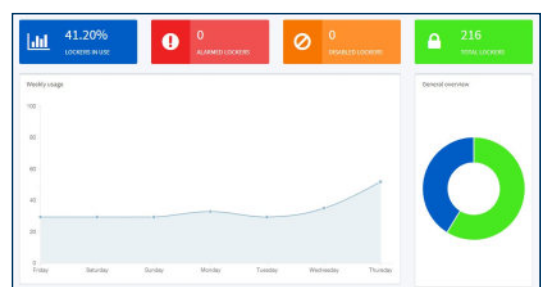
- Designed for GANTNER's NET.Lock 7000, SMART.Lock 7000, and Lock 5010 locker systems
- Central control of the lockers
- Lockers organized into groups and areas
- Authorization assignment for freely-selectable lockers (Free Locker), Personal Lockers and Rental Lockers
- Configuration of the locker operating modes
- All locker activity data recorded
- Break-in alarm can be displayed on several PCs (remote)
- Locker usage analysis tool with graphical data representation
- Multi-client operation possible
- Online devices (e.g. GAT Access 6xxx)
- Central terminal and GAT SMART.LockAxx 6350 integration
- User and role management
- Network device scan
- Online XML/JSON clients (Enterprise version)
- Advanced data carrier reader function (Enterprise version)
- Web user interface for locker management (operation)



GAT Relaxx is a powerful PC software that is used to manage networked locker systems such as the GAT NET.Lock 7000, the GAT SMART.Lock 7000, and the GAT Lock 5010. Thanks to the user-friendly interface, the GAT Relaxx operator can easily monitor and control the utilization of the available lockers as well as control and configure them remotely from their workstation. A break-in monitor (alarm indicator) instantly displays any unauthorized accessing of lockers to ensure the secure storage of personal belongings is maintained.

The system configuration is conveniently carried out via a graphical user interface. In addition to tasks such as assigning lockers and configuring controllers, it is possible to define user authorization lists for free locker selection as well as assign users to personal lockers.

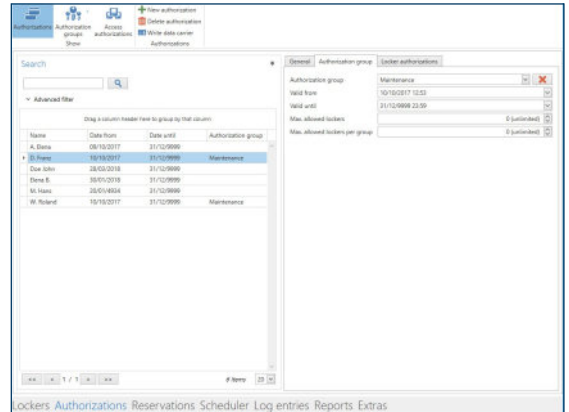
The multi-user capability, the user management system, and a Web user interface allow multiple client workstations to share a central database.



Functional Description

To work with GAT Relaxx, the user logs into the GAT Relaxx server from their workstation with their username and password. A range of program functions are accessible to the user depending on their assigned user rights.

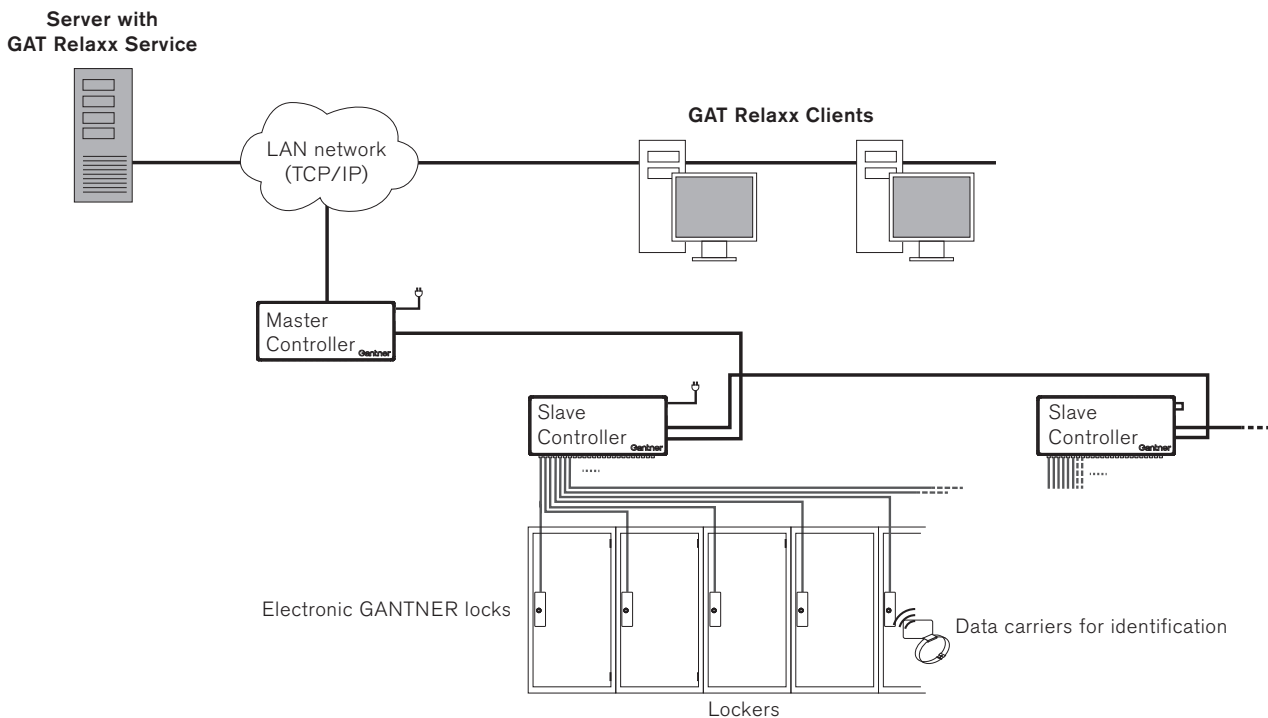
The user interface is divided into a hardware configuration interface where controllers are configured and locks assigned to controllers, and a logical user interface where the lockers are organized and assigned independent of their physical connections. Navigation between the areas and groups is particularly intuitive thanks to the design of the user interface.



Regardless whether the GAT NET.Lock 7000, GAT SMART.Lock 7000 or the GAT Lock 5010 locker locking system from GANTNER is used, operation for the user is always uniform.

Any locker alarms are forwarded to GAT Relaxx via the controllers and these can be acknowledged and processed in the Alarm Viewer area.

Typical Application



Minimum System Requirements

- Hardware requirements:
- Minimum hard disk capacity >150 GB (required for database and advanced system logging)
 - Broadband internet connection (min. 4/1 Mbit) required for service and installation
 - Network connection for GAT Relaxx Clients: TCP/IP
 - Network connection for master controllers: TCP/IP
 - Additional requirements for the database server (see below)
 - Other requirements depend on the size of the system and the number of lockers (approx.):

Locks	Free RAM*	min. CPU: Dual Core 2.5 GHz (e.g. Intel Core i3, AMD Phenom II X2)	CPU: Quad Core (e.g. Intel Core i7, AMD Phenom II X4)	Microsoft® SQL Server® Express Edition	Full-featured SQL database server
500	2 GB	X	-	X	-
1000	2 GB	X	-	X	-
2000	4 GB*	-	X	-	X**
3000	5 GB*	-	X	-	X
4000	6 GB*	-	X	-	X
5000	8 GB*	-	X	-	X
> 5000	Please contact your GANTNER sales partner				

* To use more than 3 GB of free RAM capacity, a 64-bit version of Windows is required. The "Free RAM Capacity" value refers to the required RAM that must be available for GAT Relaxx to use exclusively. If other applications are running on the same computer, the RAM required is correspondingly greater.

** For systems with more than 3000 locks, GANTNER recommends to use a principal edition of SQL Server instead of the Microsoft® SQL Server Express that is supplied with GAT Relaxx.

- Supported operating systems:
- Microsoft® Windows® 10 Pro, Enterprise (32 and 64 bit) ¹
 - Microsoft® Windows® 8.1 Pro, Enterprise (32 and 64 bit) ¹
 - Microsoft® Windows® 8 Pro, Enterprise (32 and 64 bit) ¹
 - Microsoft® Windows® 7 SP1 Professional, Ultimate, Enterprise (32 and 64 bit) ¹
 - Microsoft® Windows Server® 2016 Standard, Essentials, Datacenter (64 bit only) ²
 - Microsoft® Windows Server® 2012 Standard, Essentials, Datacenter, Foundation (64 bit) ²
 - Microsoft® Windows Server® 2012 R2 Standard, Essentials, Datacenter, Foundation (64 bit) ²
 - Microsoft® Windows Server® 2008 R2 SP1 Standard, Enterprise, Datacenter (64 bit) ²
- ¹ ... non-listed editions such as Home, Starter, Web, RT, etc. are not supported by GAT Relaxx.
² ... GAT Relaxx does not support the Server Core installation option

Microsoft .NET Framework: Version 4.5 or higher - Full Package (4.5 included in GAT Relaxx inst. package)

Antivirus Software and Firewall: If antivirus software is used, it is important that the installation directories of the GAT Relaxx components are excluded from antivirus scans in order to prevent false detections. See manual for more information.

Used ports: 21, 1443, 8000, 8207, 8216, 8235, 8236, 8237, 8240

- Database server:
- Microsoft® SQL Server® 2017 Standard, Express, Enterprise
 - Microsoft® SQL Server® 2016 Standard, Express, Enterprise
 - Microsoft® SQL Server® 2014 Standard, Express, Enterprise
 - Microsoft® SQL Server® 2012 Standard, Express, Enterprise
 - Microsoft® SQL Server® 2008 R2 Standard, Express, Enterprise

MS SQL Server 2017 Express database server included in GAT Relaxx installation package. Please pay attention to the limitations of the Express editions:

- Database size limited to 10 GB
- Support for only one CPU (but multiple cores)
- No SQL Server Agent

It is recommended to also install Microsoft SQL Server Management Studio Express (included in the GAT Relaxx installation package).

Note: Read also the detailed information in the GAT Relaxx Installation manual.

Web User Interface:	<ul style="list-style-type: none"> - Supported web browsers: Internet Explorer 11, Edge, Chrome and Firefox (latest versions) - IIS server components must be activated in Windows (autom. performed by setup) - SSL certificate for an encrypted connection between the web browser and IIS is recommended.
---------------------	---

IMPORTANT NOTES!

- The customer is responsible for providing any additional licenses required, e.g., for the operating system or database.
- Please note that GANTNER can only provide technical support if GAT Relaxx is installed on a German or English version of Windows. In addition, support can only be given when the customer provides all access authorizations required by the Support Team, e.g., access to the Windows account under which GAT Relaxx runs or access to the SQL database, etc..
- Please also pay attention to the detailed information in the GAT Relaxx user manual.

Order Information

Description	Part No.
GAT Relaxx Enterprise 1-10	633024
GAT Relaxx Professional 1-10	633529
Windows® Software for the configuration/control of GANTNER locker locking systems. Enterprise* or Professional* edition. License for up to 10 slave controllers.	
GAT Relaxx Enterprise 11-100	633226
GAT Relaxx Professional 11-100	633731
Windows® Software for the configuration/control of GANTNER locker locking systems. Enterprise* or Professional* edition. License for up to 100 slave controllers.	
GAT Relaxx Enterprise 101	633428
GAT Relaxx Professional 101	634025
Windows® Software for the configuration/control of GANTNER locker locking systems. Enterprise* or Professional* edition. License for an unlimited number of slave controllers.	
GAT Relaxx Enterprise 1-10 Upgrade Version	699739
GAT Relaxx Enterprise 11-100 Upgrade Version	699840
GAT Relaxx Enterprise 101 Upgrade Version	699941
GAT Relaxx Professional 1-10 Upgrade Version	700015
GAT Relaxx Professional 11-100 Upgrade Version	700116
GAT Relaxx Professional 101 Upgrade Version	700217
Version upgrade (e.g. vers. 1.xx to 2.xx) of GAT Relaxx Enterprise or GAT Relaxx Professional for up to 10, 100 or an unlimited number of slave controllers	
GAT Relaxx Certificate inactive	793031
License for deactivation of the certificate verification in locker systems. Valid for one slave controller.	
GAT Relaxx WEB Locker Usage Screen 1-10	695129
GAT Relaxx WEB Locker Usage Screen 11-100	695230
GAT Relaxx WEB Locker Usage Screen 101	695331
Web display of the locker system in combination with GAT Relaxx Enterprise	
GAT Relaxx WEB Info Screen	837834
Single web locker info screen in combination with GAT Relaxx Enterprise. For entering the data carrier number we recommend a reader in HID mode.	
GAT Relaxx WEB Floorplan 1-10	963430
GAT Relaxx WEB Floorplan 11-100	963531
GAT Relaxx WEB Floorplan 101	963632
Position and status indication of the lockers on a graphical floor plan of the building. Display in web browser. GAT Relaxx Enterprise is required. Floor plan supplied by customer. Locker placement on the floor plan by GANTNER (extra costs).	