

TOOaPICNIC



TOOaPICNIC Hide 110

TOOaPICNIC

TOOaPICNIC is a serie of benches with a wide scope of applications. You can use them in offices, Activity Based Work (ABW) environments, restaurants, hotel lobbies and waiting areas.

The Dutch designers Jules Vreeswijk and Joost Waltjen have carefully built up the TOOaPICNIC serie. Each version has a specific application and therefore a unique look.

Especially in an Activity Based Work environment the furniture must be obvious. The function of furniture should not have to be explained and must invite to use. TOOaPICNIC can be expanded with various accessories such as an integrated power supply for laptops and mobile phones. Also optional is an extra large table top with which you can easily couple two TOOaPICNIC benches and create a 4-persons unit.

TOOaPICNIC Share



TOOaPICNIC Chill



TOOaPICNIC Chill+



TOOaPICNIC Hide 110



TOOaPICNIC

TOOaPICNIC Hide 130



TOOaPICNIC Hide 160



TOOaPICNIC Hide 110 Throne



TOOaPICNIC Hide 130 Throne



TOOaPICNIC Cube



TOOaPICNIC Chill+ Throne



TOOaPICNIC

TOOaPICNIC Slim



TOOaPICNIC Slim+



Power outlet



As mentioned it is possible to equip the TOOaPICNIC with a single or double outlet. Shown here is a TOOaPICNIC Hide bench with a double outlet.

Available in black and white, with 230V or twin USB charger. Other models beside BEK, CHUKO and UK upon request.



TOOaPICNIC Connecting table

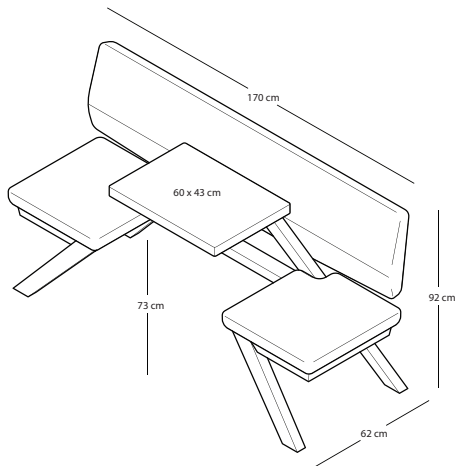


All the models can be transformed easily into a TOOaPICNIC 4-person setup. You can put a 160 cm long connecting table top on the small tables and create an ideal place for a short meetings.

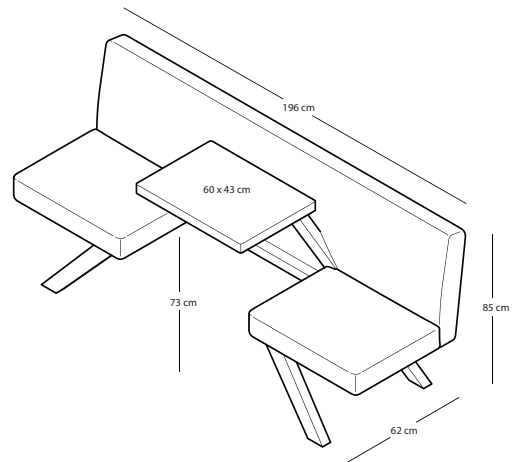


TOOaPICNIC

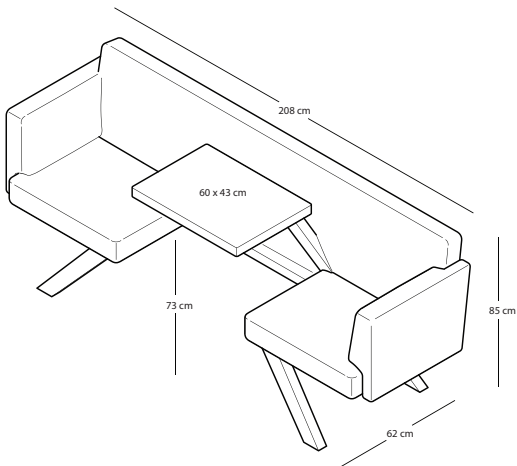
TOOaPICNIC Share



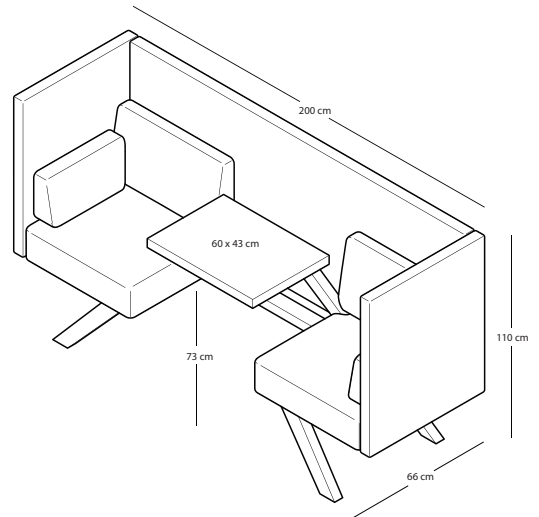
TOOaPICNIC Chill



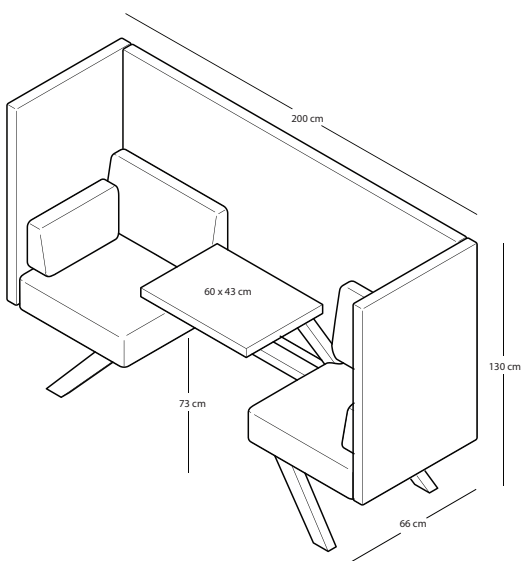
TOOaPICNIC Chill+



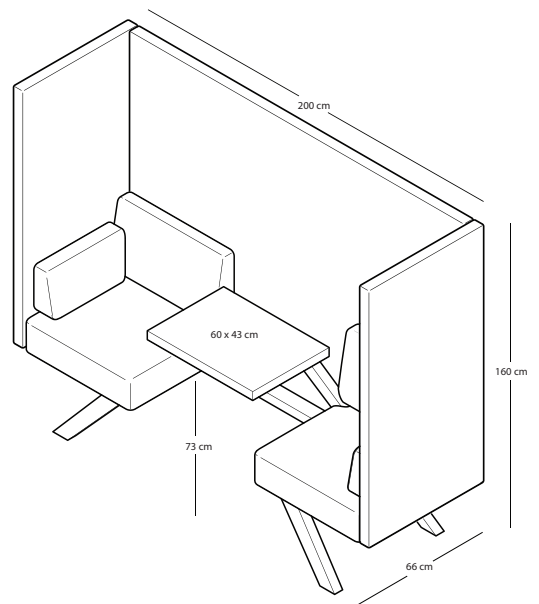
TOOaPICNIC Hide 110



TOOaPICNIC Hide 130

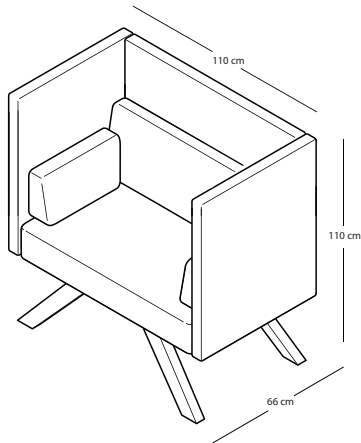


TOOaPICNIC Hide 160

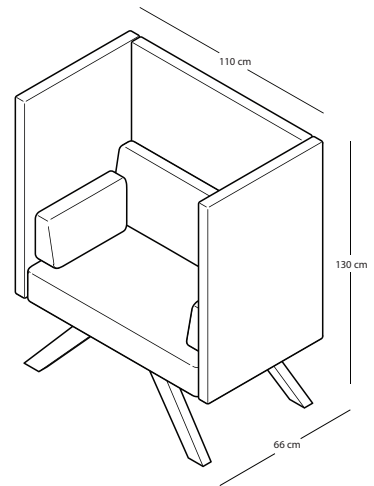


TOOaPICNIC

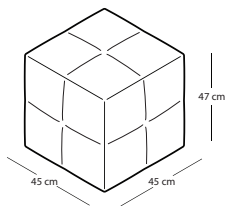
TOOaPICNIC Hide 110 Throne



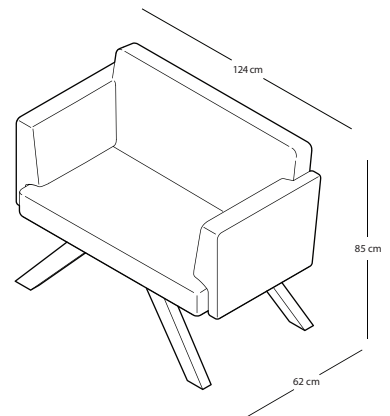
TOOaPICNIC Hide 130 Throne



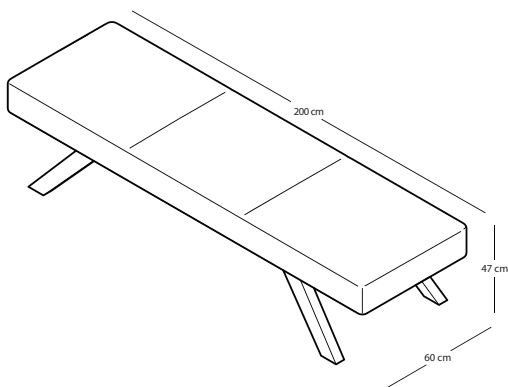
TOOaPICNIC Cube



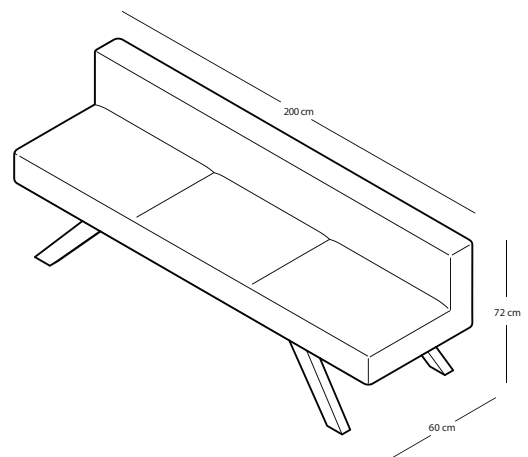
TOOaPICNIC Chill+ Throne



TOOaPICNIC Slim

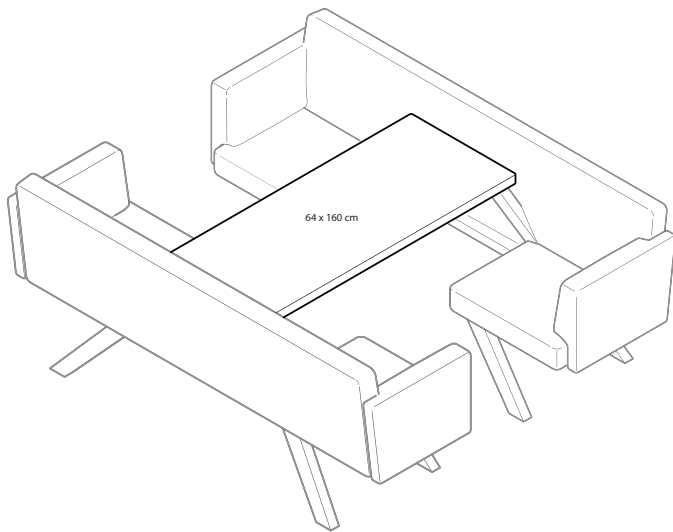


TOOaPICNIC Slim+



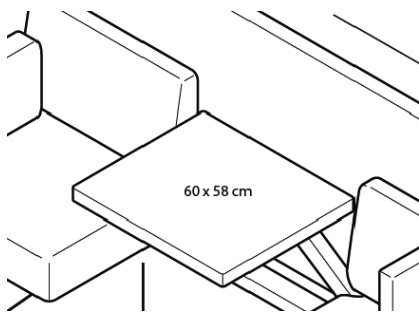
TOOaPICNIC

TOOaPICNIC Connecting table



All the models can be transformed easily into a TOOaPICNIC 4-person setup. You can put a 160 cm long connecting table top on the small tables and create an ideal place for a short meetings.

TOOaPICNIC Table top XL



All TOOaPICNIC Hide models can be equipped with a larger than standard table, measuring 60 cm in width and 58 cm in depth.

